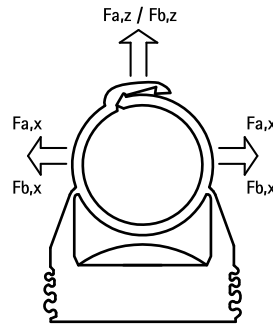
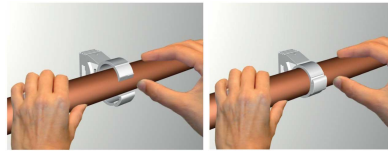


# starQuick® Clamp (Grey)

(C 05 05)

to fix pipes for electrical and mechanical installations to wall, floor or ceiling 10 - 65 mm

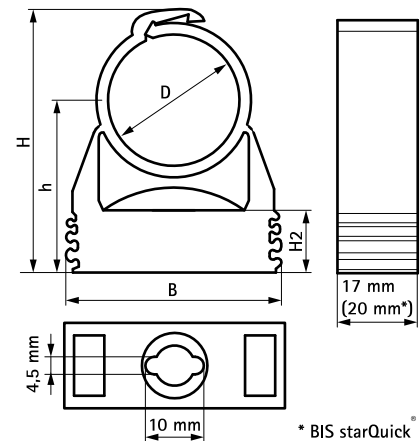


kiwa



## Features and benefits

- one-part clamp
- clamp closes by applying pressure to the pipe
- for outdoor use and installations in swimming pool environments, chemical factories, zinc factories, etc.
- due to a patented profile it is possible to tack several clamps to each other
- material: modified PA6 (polyamide), grey (according to RAL 7035)
- resistant to UV, ageing, oil and petrol
- no corrosion, recyclable, halogen free
- temperature resistance from approx. -104 °F to approx. +194 °F constant, approx. 266°F peak (Note: temperature must be above 15°F during installation process)



\* BIS starQuick®  
Ø 59 - 65 mm

Part No.	D (mm)	D (")	DN	Type	B (mm)	H (mm)	h (mm)	H2 (mm)	F <sub>a,z</sub> (N)	F <sub>a,z</sub> (kg)	F <sub>b,z</sub> (N)	F <sub>b,z</sub> (kg)	KIWA	UL	UPC	Pack 1	Pack 2
0854010	10 - 12	1/8	6	SQ-10	29	32	23	10.5	170	17	500	50	-	UL	UPC	100	1,200
0854012	12 - 14	1/4	8	SQ-12	29	34	23	10.5	180	18	550	55	KIWA	UL	UPC	100	1,200
0854015	14 - 16	-	-	SQ-15	29	36	24	10.5	200	20	600	60	KIWA	UL	UPC	100	1,200
0854018	16 - 20	3/8	10	SQ-17	29	40	26	10.5	230	23	700	70	KIWA	UL	UPC	100	800
0854022	20 - 23	1/2	15	SQ-20	29	44	27	10.5	270	27	800	80	KIWA	UL	UPC	50	600
0854028	24 - 28	3/4	20	SQ-25	40	50	31	10.5	280	28	850	85	KIWA	UL	UPC	50	600
0854031	28 - 32	-	-	SQ-28	40	53	32	10.5	300	30	900	90	KIWA	UL	UPC	50	400
0854035	32 - 35	1	25	SQ-32	43	57	34	10.5	330	33	1,000	100	KIWA	UL	UPC	50	400
0854038	35 - 40	-	-	SQ-36	47	66	41	12.0	370	37	1,100	110	KIWA	UL	UPC	25	300
0854042	40 - 44	1 1/4	32	SQ-40	52	70	42	12.0	400	40	1,200	120	KIWA	UL	UPC	25	200
0854050	44 - 50	-	-	SQ-47	57	76	45	12.0	430	43	1,300	130	-	UL	UPC	25	200
0854054	48 - 55	1 1/2	40	SQ-51	63	81	47	12.0	470	47	1,400	140	-	UL	UPC	15	180
0854063	59 - 65	2	50	SQ-59	74	94	55	12.0	500	50	1,500	150	-	UL	UPC	15	180

$$F_{a,x} = F_{a,z} / F_{b,x} = F_{b,z}$$

Maximum allowed load at a temperature of +21 °C (+70 °F) and fixing with M6 BIS starQuick® nut + M6 steel treaded rod.

The values are recommended values and based on our nowadays technical knowledge, experience and statements in the literature as well as testing under laboratory circumstances. They do not relieve the user of own testing of the end product due to the big number of parameter of influence in the mounting process and the application. A legal confirmed assurance of properties or the suitability for a specific application cannot be based on our specifications.

### Complementary

- starQuick® Duo Wall Plate
- starQuick® Hammer-in Screw
- starQuick® Fixing Nut

### Alternative

- starQuick® Clamp - M6 (Grey)