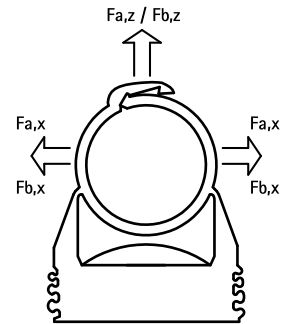
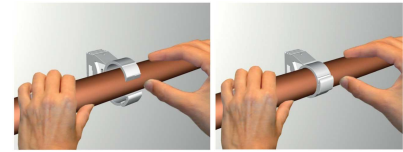


starQuick® Clamp (Copper Colour)

(C05 12)

to fix pipes for electrical and mechanical installations to wall, floor or ceiling 12 - 32 mm



Features and benefits

- one-part clamp
- clamp closes by applying pressure to the pipe
- for outdoor use and installations in swimming pool environments, chemical factories, zinc factories, etc.
- due to a patented profile it is possible to tack several clamps to each other
- material: modified PA6 (polyamide), copper colour
- resistant to UV, ageing, oil and petrol
- no corrosion, recyclable, halogen free
- temperature resistance from approx. -40 °C to approx. +90 °C (constant); short to approx. +130 °C

kiwa

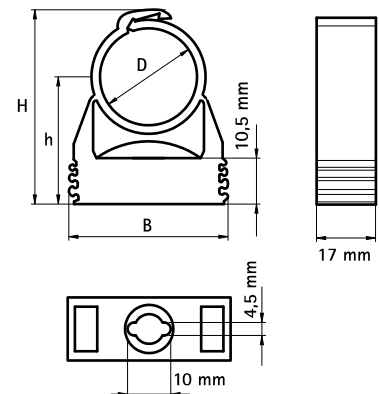


Part No.	D (mm)	D (°)	DN	Type	B (mm)	H (mm)	h (mm)	F _{a,z} (N)	F _{b,z} (N)	KIWA	UPC	Pack 1	Pack 2
0855812	12 - 14	1/4	8	SQ-12	29	34	23	180	550	KIWA	UPC	100	1,200
0855815	14 - 16	-	-	SQ-15	29	36	24	200	600	KIWA	UPC	100	1,200
0855818	16 - 20	3/8	10	SQ-17	29	40	26	230	700	KIWA	UPC	100	800
0855828	24 - 28	3/4	20	SQ-25	40	50	31	280	850	KIWA	UPC	50	600
0855831	28 - 32	-	-	SQ-28	40	53	32	300	900	KIWA	UPC	50	400

$$F_{a,x} = F_{a,z} / F_{b,x} = F_{b,z}$$

Maximum allowed load at a temperature of +21 °C (+70 °F) and fixing with M6 BIS starQuick® nut + M6 steel threaded rod.

The values are recommended values and based on our nowadays technical knowledge, experience and statements in the literature as well as testing under laboratory circumstances. They do not relieve the user of own testing of the end product due to the big number of parameter of influence in the mounting process and the application. A legal confirmed assurance of properties or the suitability for a specific application cannot be based on our specifications.



Complementary

- starQuick® Hammer-in Screw
- starQuick® Fixing Nut