

INFORMATION

The ETA Approved Ankerbolt Socket Bolt is a self tapping anchor for use in a variety of base materials.

The undercutting action provides a positive anchorage with no expansion forces.

- The Dual Thread allows for the use of M8 or M10 thread rod with the need for only one socket.
- The choice of M8 and M10 gives options for the diameter of threaded rod being used.

BASE MATERIAL

- Concrete C20/25 To C50/60
- Cracked/Non-cracked Concrete
(Only for Multiple Use for Non-structural Applications)
- Hollow Concrete Planks
- Solid Brickwork
- Concrete Block
- Natural Stone

FEATURES

- Undercutting action
- Fast And Secure Installation
- Expansion Free
- Zinc Plated Minimum 5µm
(For Dry, Internal Applications Only)
- Reaction to Fire Class A1
- Fire Resistant Classification R120

APPROVALS

European Technical Assessment
ETAG 001-06



ETA-20/0727



Fire Resistance
ETA-20/0727

RELATED PRODUCTS



SD06

SDS+ Drill Bits



Hole Cleaning Pump



M8 or M10

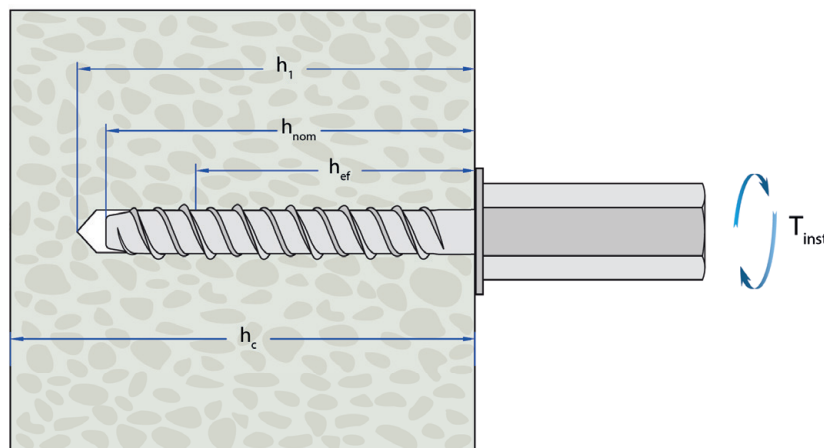
Threaded Rods

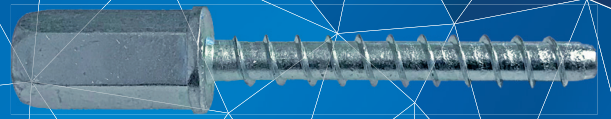
RANGE AND LOAD DATA

RANGE AND LOAD DATA

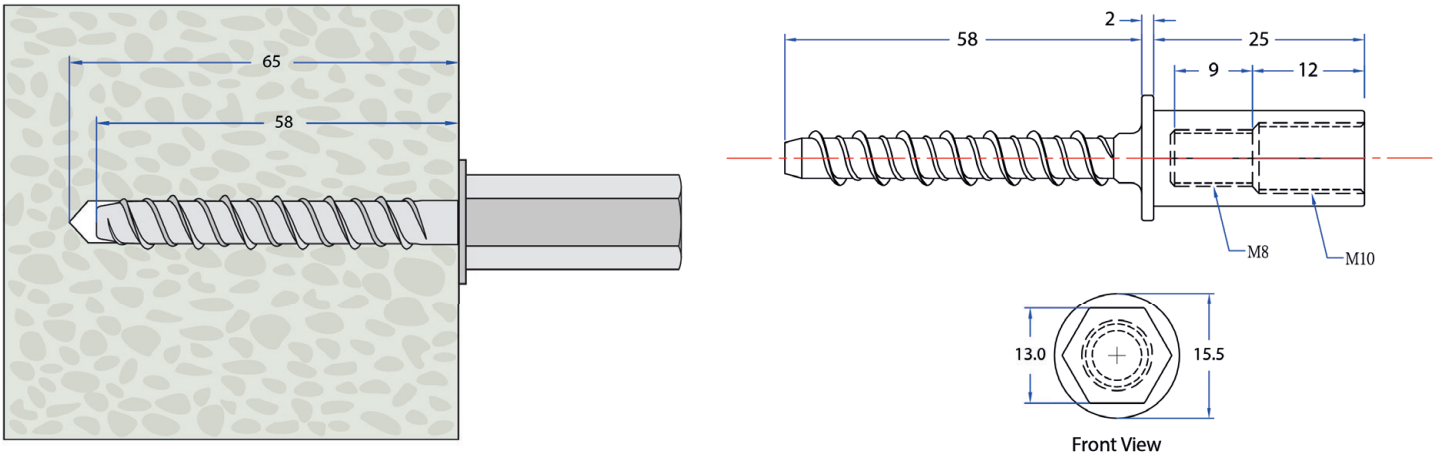
Part Number	Drill Hole Diam	Hole Depth	Overall Length	Embedment Depth	Minimum Concrete Thickness	M8 Internal Thread Length	M10 Internal Thread Length	Across Flats	Design Tensile Resistance	Recommended Tensile Resistance	Tightening Torque
	(d_0)	(h_1)	(L)	(h_{nom})	(h_{cmin})	(l_{Th})	(l_{Th})	(AF)	(N_{Rd})	(N_{Ra})	(T_{inst})
	mm	mm	mm	mm	mm	mm	mm	mm	kN	kN	Nm
Solid concrete											
JAB06/08SOCETA	6	65	85	55	100	9	12	13	3.3	2.3	20
Hollow Concrete Planks*											
JAB06/08SOCETA	6	65	85	55	N/A	9	12	13	3.3	2.3	20

* Is not included in ETA.





DIMENSIONS



FIRE RESISTANCE DATA



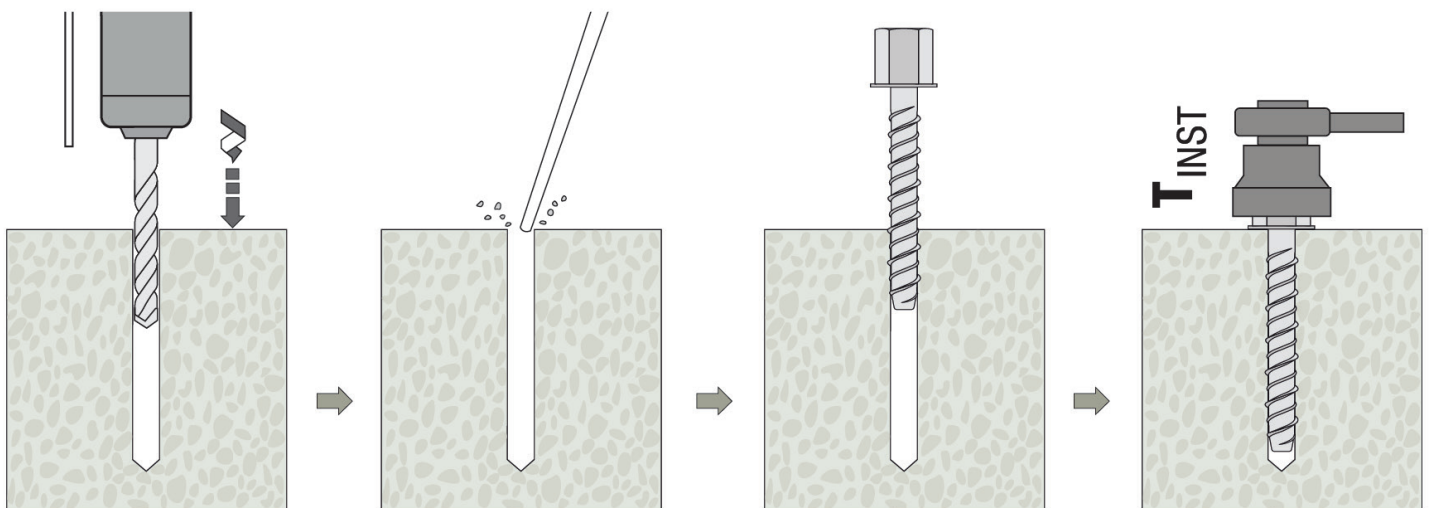
Fire Resistance Data*

Drill Diam (d_p)	Overall Embedment Depth (h_{nom})	Design Resistance**				Approved Resistance				Spacing (s_{cr})	Edge Distance (c_{cr})
		Tensile ($N_{Rd,fr}$) or Shear ($V_{Rd,fr}$) (kN)				Tensile ($N_{Ra,fr}$) or Shear ($V_{Ra,fr}$) (kN)					
mm	mm	30min (R30)	60min (R60)	90min (R90)	120min (R120)	30min (R30)	60min (R60)	90min (R90)	120min (R120)	mm	mm
6	70	0.23	0.20	0.16	0.11	0.16	0.14	0.11	0.07	180	90

* If the fire attack is from more than one side, the design method may be taken only, if the edge distance of the anchor is $c_{min} \geq 300$ mm.

** Steel failure

INSTALLATION INSTRUCTIONS



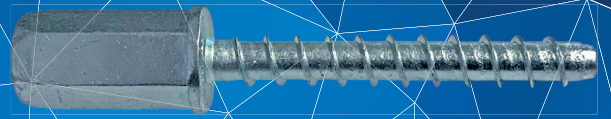
-Drill correct diameter hole to corresponding depth by using the rotary hammer drilling mode

-Clean hole by blowing to remove drilling debris and dust

-Insert anchor into concrete using suitable impact wrench (maximum machine power setting is limited to 80Nm)

-Tighten with torque wrench to recommended torque





INSTALLATION INSTRUCTIONS VIDEO

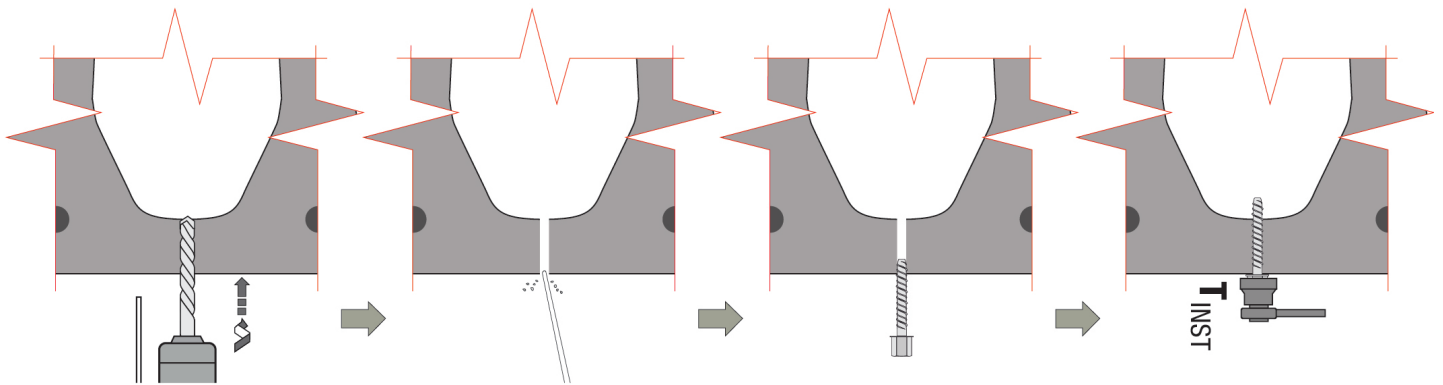
To watch the video and subscribe, please click on the link or scan the QR code:

-How to install a Concrete Bolt Socket - JCP Fixings:

<https://www.youtube.com/watch?v=ksCmPK9Plrc>



HOLLOW CONCRETE PLANKS INSTALLATION INSTRUCTIONS



-Drill correct diameter hole into void by using the rotary hammer drilling mode

-Clean hole by blowing to remove drilling debris and dust

-Insert anchor into concrete using suitable impact wrench

-Tighten with torque wrench to recommended torque

For variations in structure thickness, reduced spacing and edge calculations download the free **Anchor Calculation Program** from www.jcpfixings.co.uk

