

**NEW & IMPROVED**

THE FRAME THAT EXTENDS IN ANY DIRECTION

# Multi Frame & Multi Frame XL



Multi Frame and Multi Frame XL can be extended in any direction using the Extension kits, providing the flexibility to mix and match Multi Frame and Multi Frame XL to create the frame size and shape configuration to suit the install.

## KEY FEATURES

- 305mm Feet.
- 1m x 1.2m, 1.5m x 1.2m multiples.
- Mix and match any Multi Frame and Multi Frame XL of the same height.
- Extend from any side.
- Suits a wide variety of units.
- Adjustable leg assemblies.
- Easy to assemble - cross bars simply position onto the end bars.
- Supplied boxed with clamp kits.

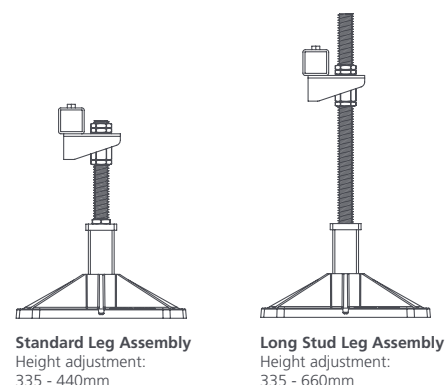
## KIT INCLUDES

Multi Frame	Frame	Ext.
305mm foot & adhered mat	× 4	× 2
1m End bar	× 2	× 2
1.2m Cross bar	× 2	× 2
Unit clamp kit (4 pack)	× 2	× 2
Connector	-	× 2
Multi Frame XL	Frame	Ext.
305mm foot & adhered mat	× 4	× 2
1.5m End bar	× 2	× 2
1.2m Cross bar	× 3	× 3
Unit clamp kit (4 pack)	× 2	× 2
Connector	-	× 2

## APPLICATION



Description	Part no.	Length (mm)	Width (mm)	Height (mm)	Weight (Kg)	Max. Load (Kg)
Multi Frame	<b>B9720</b>	1000	1200	335 - 440	36	500
Extension Kit	<b>B9721</b>	1000	1200	335 - 440	26	500
Multi Frame Long Stud	<b>B9720/1</b>	1000	1200	335 - 660	40	500
Extension Kit Long Stud	<b>B9721/1</b>	1000	1200	335 - 660	28	500
Multi Frame XL	<b>B9731</b>	1500	1200	335 - 440	43	500
Extension XL Kit	<b>B9732</b>	1500	1200	335 - 440	33	500
Multi Frame XL Long Stud	<b>B9731/1</b>	1500	1200	335 - 660	45	500
Extension XL Kit Long Stud	<b>B9732/1</b>	1500	1200	335 - 660	35	500



Information correct at time of going to press.